



Amplified Inductive Sensors Ø 5



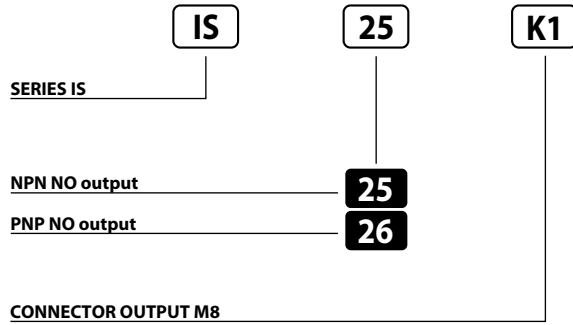
AMPLIFIED INDUCTIVE SENSORS 10÷30 V DC 3 WIRES NPN OR PNP OUTPUT

- Three-wire, amplified, shielded sensors
- 10 to 30 VDC, NPN or PNP
- NO select
- Cable or M8 quick connect models

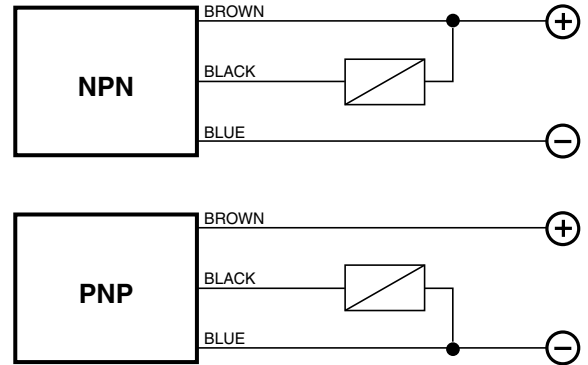
IS Series



Identification code

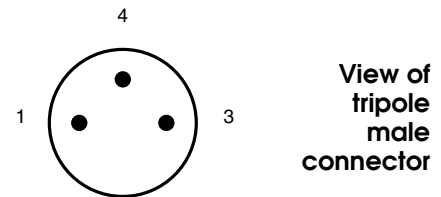


Wiring diagrams



	SHIELDED
NOMINAL SWITCHING DISTANCE (Sn)	0,8 mm
NOMINAL VOLTAGE	10 ÷ 30 VDC (-15 / +10%)
RESIDUAL RIPPLE	≤ 10%
HYSTERESIS	< 10%
MAX. OUTPUT CURRENT	100 mA
RESIDUAL CURRENT	≤ 10 mA
VOLTAGE DROP (Sensor ON)	< 1 V (I = 100 mA)
OPERATION LED	Present
SWITCHING FREQUENCY	800 Hz
START UP DELAY	≤ 50 mS
REPEATABILITY	≤ 1%
SHORT CIRCUIT PROTECTION	Present (self-resetting)
ELECTRIC PROTECTIONS	Against polarity reversal - inductive loads
TEMPERATURE LIMITS	- 25 ÷ +60 °C
PROTECTION DEGREE	IP 67
CABLE LENGTH	2 m
CABLE SECTION	3 x 0.14 mm ²
HOUSING MATERIAL	Stainless-steel
WEIGHT - Cable output -	50 g
WEIGHT - K connector output -	40 g

Connection with connector M8 (K1)

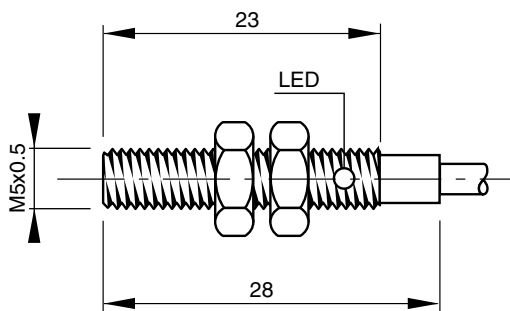


CONTACTS CONFIGURATION

Available	Contacts numbers		
	1 BROWN	3 BLUE	4 BLACK
NPN/PNP	+	-	NO/NC

Dimensions (mm)

CONFIGURATION WITH CABLE



CONFIGURATION WITH CONNECTOR K1

