

# Thru Beam Photoelectric Sensors



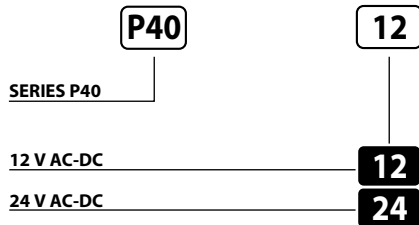
## THRU BEAM PHOTOELECTRIC SENSORS P 40 FOR PANEL MOUNTING

- Low voltage AC/DC thru beam sensors
- Long range Sensor: 55 m range
- User friendly, wide beam alignment
- Output LED indicator
- 1A relay SPDT
- Plastic housing

## P 40 Series



### Identification code



Note: Each package includes emitter and receiver.

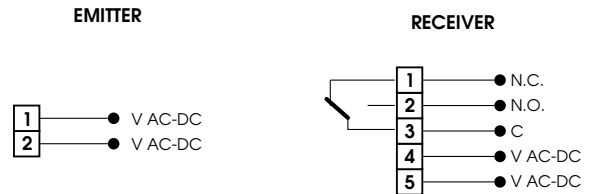
AVAILABLE	RECEIVER	EMITTER
SWITCHING DISTANCE (+/- 20%)	55 m	
EMISSION	Infrared (875 nm)	
NOMINAL VOLTAGE	12 VDC or 24 VAC-DC (see selection table)	
FREQUENCY	50 ÷ 60 Hz	
OUTPUT	2 Relay UNI 8612 norms	-
N° OF OPERATIONS	Mec.=5x10 <sup>6</sup> ops min. Elect. 3x10 <sup>5</sup> ops min. (1A 28 VDC) 1x10 <sup>5</sup> ops min. (0.5A 120 VAC)	-
MAX OUTPUT CURRENT	1A 28 VDC - 0.5A 120 VAC (28 W, 60 VA)	-
ABSORPTION	70 mA	
YELLOW LED	Output indicator	-
GREEN LED	Supply indicator	-
SWITCHING FREQUENCY	5 Hz	
START UP DELAY	≤ 300 mS	
TEMPERATURE LIMITS	-20 ÷ +60°C	
LIGHT IMMUNITY	> 5000 Lux <sup>(1)</sup>	
PROTECTION DEGREE	IP 54	
CONNECTIONS	with connectors	
HOUSING MATERIAL	Housing: nylon loaded with fiberglass - Filter: methacrylate	
WEIGHT (Approximately)	425 g	

<sup>(1)</sup> Determined with halogen tungsten lamp 3000° K.

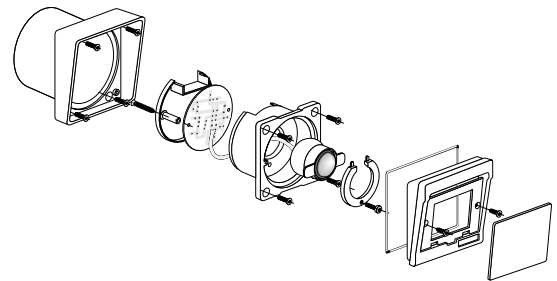
### Important warning

The thru beam photoelectric sensor can be used as a sensor to detect the presence of an obstacle if the sensing beam gets interrupted.  
 In no case this device can substituted the obligatory safety devices that must be applied on all dangerous equipments.

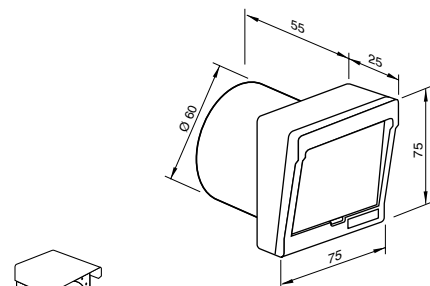
### Wiring diagrams



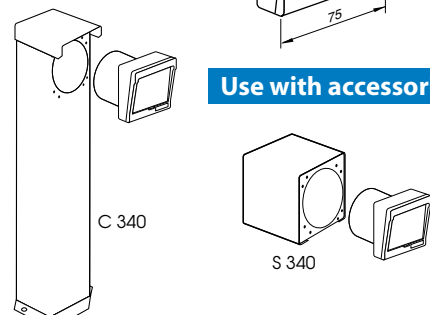
### Detailed sight



### Dimensions (mm)



### Use with accessories



### Characteristics curve

