

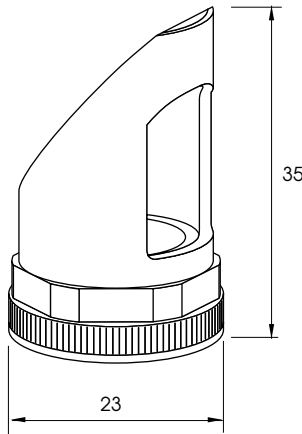
ACCESSORIES FOR PHOTOELECTRIC SENSORS M18

- Ray turner 90° for all M18 photoelectric sensors
- Shutter for all M18 emitter-receiver thru beam

DEV and P18 Series

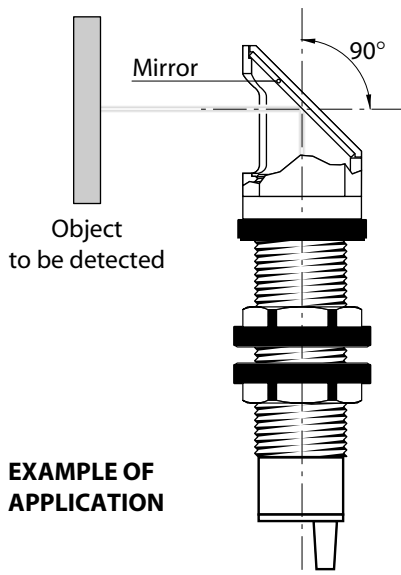


Accessory for reading at 90° (Art. DEV90)



Ray turner for 90° sensing of cylindrical photoelectric sensors M 18. It can be used for DIFFUSE REFLECTIVE, RETRO REFLECTIVE, POLARIZED RETRO REFLECTIVE, EMITTERS AND RECEIVERS THRU BEAM systems.

Weight 7 g



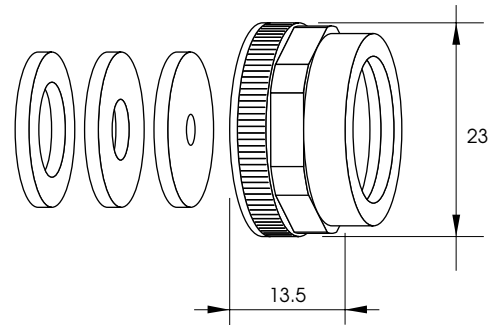
WARNING

The ray turner determines an attenuation of the switching distance that can be computed as follows:

$$DR = \frac{D - 2}{100} \times 80$$

where "D" is the sensor switching distance indicated in cm and "DR" is the real switching distance indicated in cm.

Shutter for emitter-receiver thru beam (Art. P18OTT)






WARNING:

each package contains three shutter disks

Weight 5 g

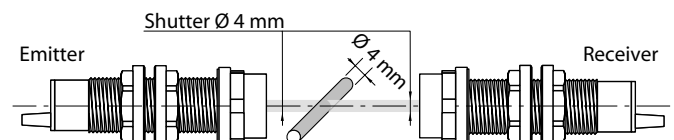
Accessory to detect small size objects with emitter-receiver cylindrical thru beam M18.

SHUTTING DIAM.	MIN. OBJECT TO BE DETECTED	DISTANCE ATTENUATION
 2 mm	≥ 2 mm	97 %
 4 mm	≥ 4 mm	84 %
 8 mm	≥ 8 mm	54%

WARNING:

the datum "Minimum object to be detected" refers to the condition of shutter mounted on emitter receiver.

EXAMPLE OF APPLICATION



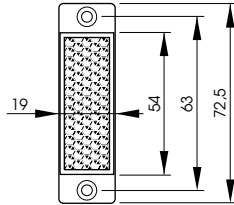
REFLECTORS CODES AND DIMENSIONS

- High performances
- Round models
- Rectangular models

CT Series

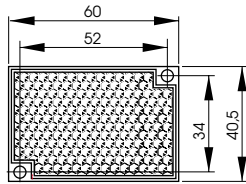


Rectangular type (Art. CT05)



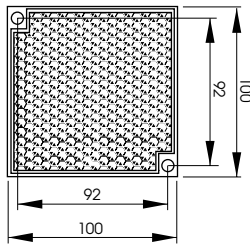
Thickness: 8,4 mm
Weight 10 g

Rectangular type (Art. CT07)



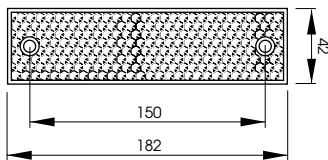
Thickness: 8 mm
Weight 10 g

Rectangular type (Art. CT100)



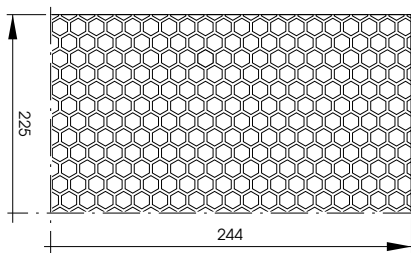
Thickness: 9 mm
Weight 40 g

Rectangular type (Art. CT150)



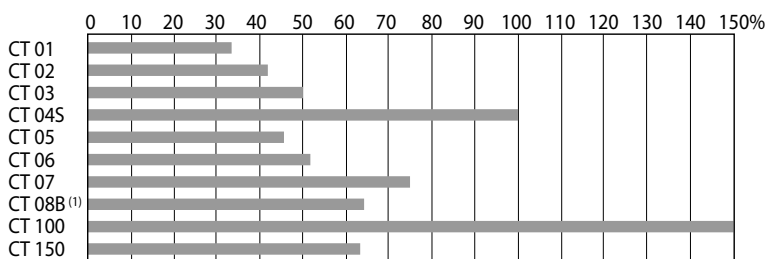
Thickness: 7,4 mm
Weight 30 g

Adhesive type (Art. CT08B)



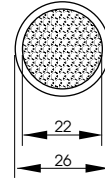
Thickness: 1 mm
Weight 32 g

The reflection distance for all models is referred to CT04S as 100%. When other models or reflectors are used, the distance results different. See the picture.



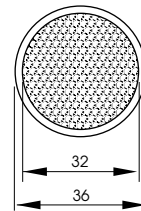
Note: ⁽¹⁾ 80 x 80 mm

Round type (Art. CT01)



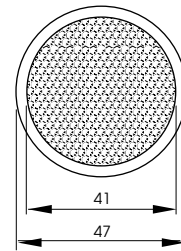
Thickness: 5 mm
Weight 1 g

Round type (Art. CT02)



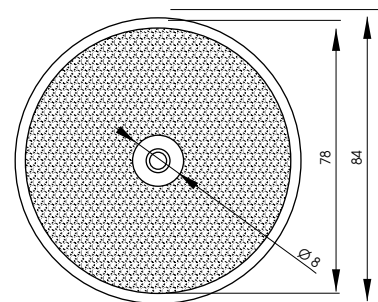
Thickness: 5.5 mm
Weight 4 g

Round type (Art. CT03)



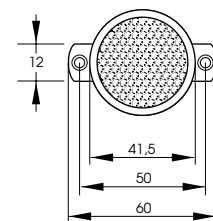
Thickness: 5 mm
Weight 1 g

Round type with fixing holes type (Art. CT04S)



Thickness: 8 mm
Weight 25 g

Round type with fixing holes type (Art. CT06)



Thickness: 6,5 mm
Weight 6 g