

# Thru Beam Photoelectric Sensors



PH. SENSORS IN RECTANGULAR HOUSING 12 ÷ 240 V DC 24 ÷ 240 V AC WITH TIMER RELAY OUTPUT

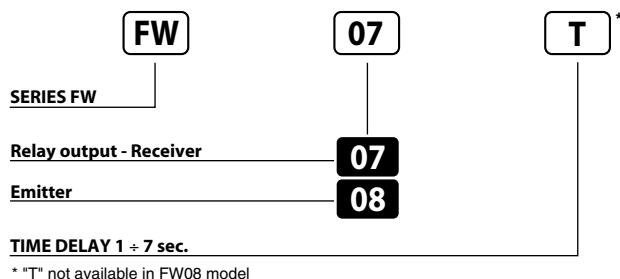
- Wide range World Wide Power Supply
- Formato rettangolare compatto
- Timer multifunzione
- Ritardo eccitazione - diseccitazione
- Singolo impulso - quattro funzioni
- Raccordo PG13.5

## FW Series

**New**



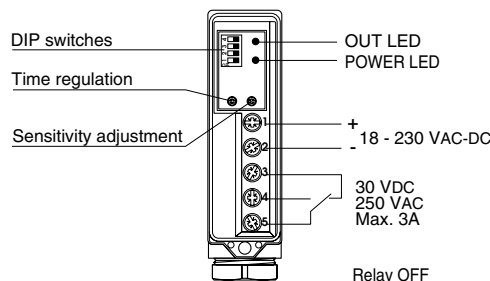
### Identification code



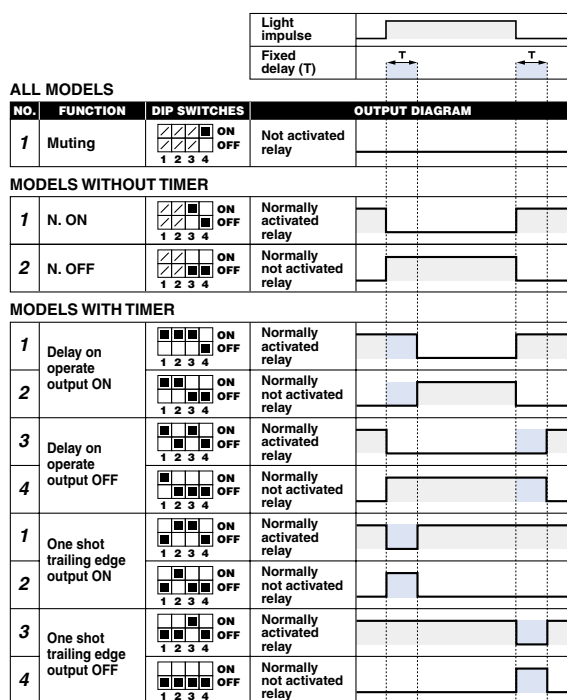
| AVAILABLE                    | RECEIVER   | EMITTER           |
|------------------------------|--|-------------------|
| SWITCHING DISTANCE (+/- 20%) | 15 m <sup>(1)</sup>  |                   |
| HYSTERESIS                   | 10%  |                   |
| EMISSION                     | -  | Infrared (875 nm) |
| NOMINAL VOLTAGE              | 18 ÷ 230VAC - DC (-15/+10%)  |                   |
| NET FREQUENCY                | 45 ÷ 60 Hz   |                   |
| OUTPUT                       | Relay (40 x 10 <sup>6</sup> mec. op. - 5 x 10 <sup>6</sup> elect. op.) | -                 |
| MAX OUTPUT CURRENT           | 3A 250VAC - 3A 30VDC   | -                 |
| ABSORPTION                   | ≤ 2W (2.5 VA)  |                   |
| YELLOW LED                   | Light on indicator   |                   |
| GREEN LED                    | Supply indicator   |                   |
| SENSITIVITY ADJUSTEMENT      | Present  | -                 |
| TIME REGULATION              | 0.1 ÷ 7 s ± 2 s (only models with timer)                               | -                 |
| SWITCHING FREQUENCY          | 10 Hz  |                   |
| RESPONSE TIME                | 100 mS   | -                 |
| START UP DELAY               | ≤ 300 mS   | -                 |
| TEMPERATURE LIMITS           | -10° ÷ +60°C   |                   |
| LIGHT IMMUNITY               | 10.000 Lux <sup>(1)</sup>  |                   |
| PROTECTION DEGREE            | IP 67  |                   |
| CONNECTIONS                  | Screw  |                   |
| CABLE GUIDE                  | PG 13.5  |                   |
| HOUSING MATERIAL             | Housing: ABS - Lenses: methacrylate                                    |                   |
| WEIGHT (Approximately)       | 110 g  |                   |

<sup>(1)</sup> Determined with halogen tungsten lamp 3000° K.  
Note: for a proper use see norms at pages 7, 8, 9 and 10.

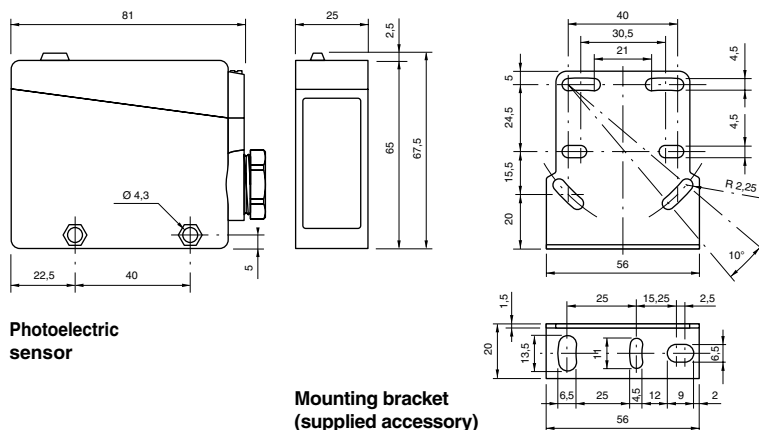
### Wiring diagrams



### Timing diagrams



### Dimensions (mm)



### Characteristic curves

