

Background Suppression Photoelectric Sensors



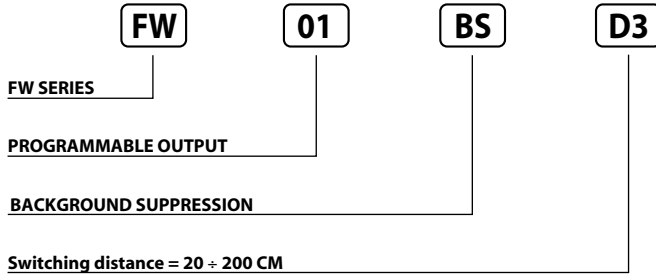
PH. SENSORS IN RECTANGULAR HOUSING 12 ÷ 30V DC PROGRAMMABLE OUTPUT

- **Switching distance: 200 cm**
- **Detecting black targets on white background**
- **Insensitive to colours**
- **Programmable output**
- **Conduit wiring terminal block**

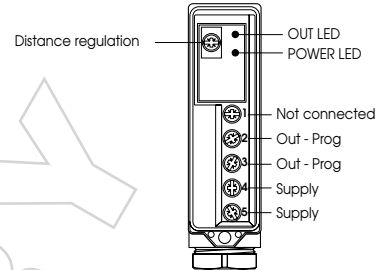
FW Series



Identification code



Wiring diagrams



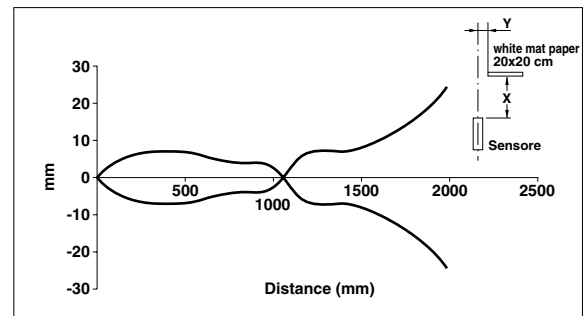
AVAILABLE	D3
SWITCHING DISTANCE	2 m ⁽¹⁾
HYSTERESIS	< 5%
EMISSION	880 nm
NOMINAL VOLTAGE	12 ÷ 30VDC (-15 /+10%)
NET FREQUENCY	≤ 10%
OUTPUT	NPN o PNP (programmable)
MAX OUTPUT CURRENT	NO o NC (programmable)
ABSORPTION	200 mA
YELLOW LED	25 ÷ 40 mA
GREEN LED	≤ 1.8 VDC
SENSITIVITY ADJUSTMENT	Output indicator
TIME REGULATION	Stability indicator
SWITCHING FREQUENCY	500 Hz
RESPONSE TIME	100 mS
START UP DELAY	Present (self-resetting)
TEMPERATURE LIMITS	Against polarity reversal - inductive loads
LIGHT IMMUNITY	-10 ÷ +60 °C
PROTECTION DEGREE	> 10.000 Lux ⁽²⁾
CONNECTIONS	IP 65
CABLE GUIDE	Screw
HOUSING MATERIAL	PG 13.5
WEIGHT (Approximately)	Housing: ABS - Lenses: methacrylate 110 g

Connection table

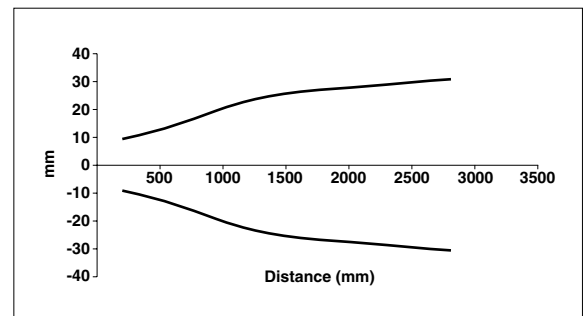
Output	Contacts numbers			
	2	3	4	5
NPN NO	NO	-	+	-
NPN NC	NC	-	-	+
PNP NO	+	NO	+	-
PNP NC	+	NC	-	+

Characteristic curves

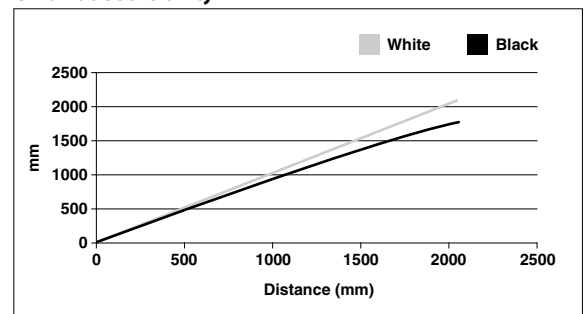
Emission curve



Emission cone

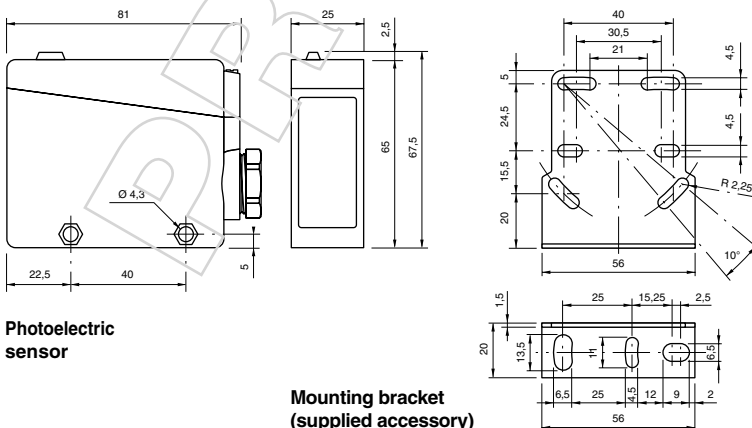


Chromatic sensitivity



⁽¹⁾ Determined with a white mat paper cm 20 x 20.
⁽²⁾ Determined with halogen tungsten lamp 3000° K.

Dimensions (mm)



Photoelectric sensor

Mounting bracket (supplied accessory)