

Retro Ref. Photoelectric Sensors



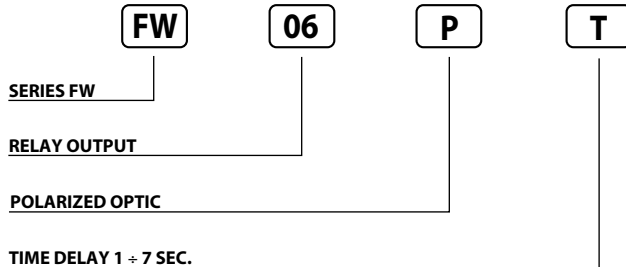
PH. SENSORS IN RECTANGULAR HOUSING 12 ÷ 240 V DC 24 ÷ 240 V AC WITH TIMER RELAY OUTPUT

- Wide range World Wide Power Supply
- Rectangular compact size
- Multi-function timer
- ON/OFF delay
- One shot-four functions
- Conduit wiring terminal block

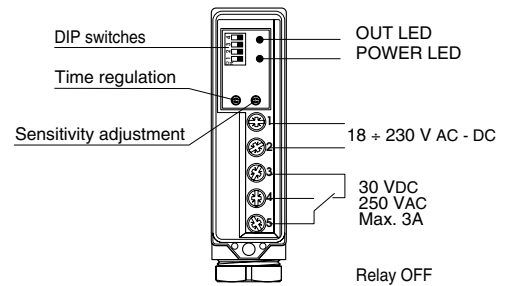
FW Series



Identification code



Wiring diagrams



| | | |
|-------------------------|--|---------------------|
| AVAILABLE | POLARIZED | STANDARD |
| SWITCHING DISTANCE | 6 m ⁽¹⁾ | 10 m ⁽¹⁾ |
| HYSTERESIS | 10% | |
| EMISSION | Red (660 nm) | Infrared (875 nm) |
| NOMINAL VOLTAGE | 18 ÷ 230 V AC - DC (-15 /+10%) | |
| NET FREQUENCY | 45 ÷ 60 Hz | |
| OUTPUT | Relay (40 x 10 ⁶ mec. op. - 5 x 10 ⁶ elect. op.) | |
| MAX OUTPUT CURRENT | 3A 250VAC - 3A 30VDC | |
| ABSORPTION | ≤ 2W (2.5 VA) | |
| YELLOW LED | Light on indicator | |
| GREEN LED | Supply indicator | |
| SENSITIVITY ADJUSTEMENT | Trimmer 1 turn | |
| TIME REGULATION | 0.1 ÷ 7 s ± 2 s (only models with timer) | |
| SWITCHING FREQUENCY | 10 Hz | |
| RESPONSE TIME | 100 mS | |
| START UP DELAY | ≤ 300 mS | |
| TEMPERATURE LIMITS | -10° ÷ +60°C | |
| LIGHT IMMUNITY | > 10.000 Lux ⁽²⁾ | |
| PROTECTION DEGREE | IP 67 | |
| CONNECTIONS | Screw | |
| CABLE GUIDE | PG 13.5 | |
| HOUSING MATERIAL | Housing: ABS - Lenses: methacrylate | |
| WEIGHT (Approximately) | 110 g | |

Timing diagrams

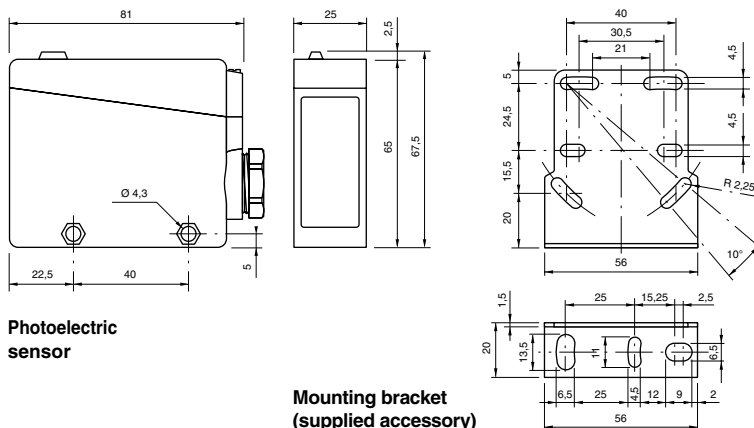
| NO. | FUNCTION | DIP SWITCHES | OUTPUT DIAGRAM |
|-----------------------------|-----------------------------------|------------------------------|------------------------------|
| ALL MODELS | | | |
| 1 | Muting | 1: ON, 2: OFF, 3: ON, 4: OFF | Not activated relay |
| MODELS WITHOUT TIMER | | | |
| 1 | N. ON | 1: ON, 2: OFF, 3: ON, 4: OFF | Normally activated relay |
| 2 | N. OFF | 1: ON, 2: OFF, 3: ON, 4: OFF | Normally not activated relay |
| MODELS WITH TIMER | | | |
| 1 | Delay on operate output ON | 1: ON, 2: OFF, 3: ON, 4: OFF | Normally activated relay |
| 2 | Delay on operate output OFF | 1: ON, 2: OFF, 3: ON, 4: OFF | Normally not activated relay |
| 3 | One shot trailing edge output ON | 1: ON, 2: OFF, 3: ON, 4: OFF | Normally activated relay |
| 4 | One shot trailing edge output OFF | 1: ON, 2: OFF, 3: ON, 4: OFF | Normally not activated relay |

⁽¹⁾ Determined with CT04S reflector.

⁽²⁾ Determined with halogen tungsten lamp 3000° K.

Note: for a proper use see norms at pages 7, 8, 9 and 10.

Dimensions (mm)



Characteristic curves

